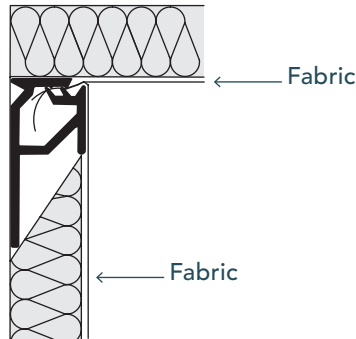


50  
MOTD

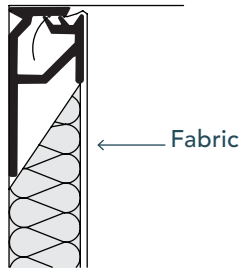
**FABRICWALL**

Stretch Fabric Systems  
Employee Owned

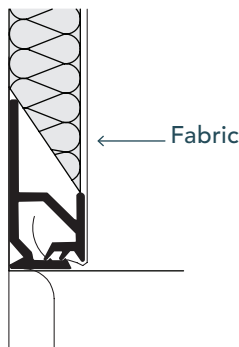
INSIDE  
CORNER



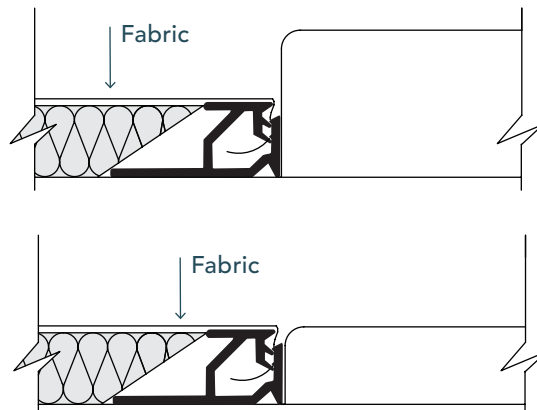
CEILING



BASE BOARD



DOOR JAMB



## DETAILS

DEPTH: 1/2"

LOAD: Top Load.  
The fabric is tucked into the track from the top down.

USAGE: Perimeter track. Use at windows, doors, floors, corners and ceilings.

EDGE: Square

EDGE WRAPPING: Only required when the edge is exposed.

*Note: When using thick fabrics hold track off the opposing wall or ceiling the thickness of the fabric to allow tucking.*